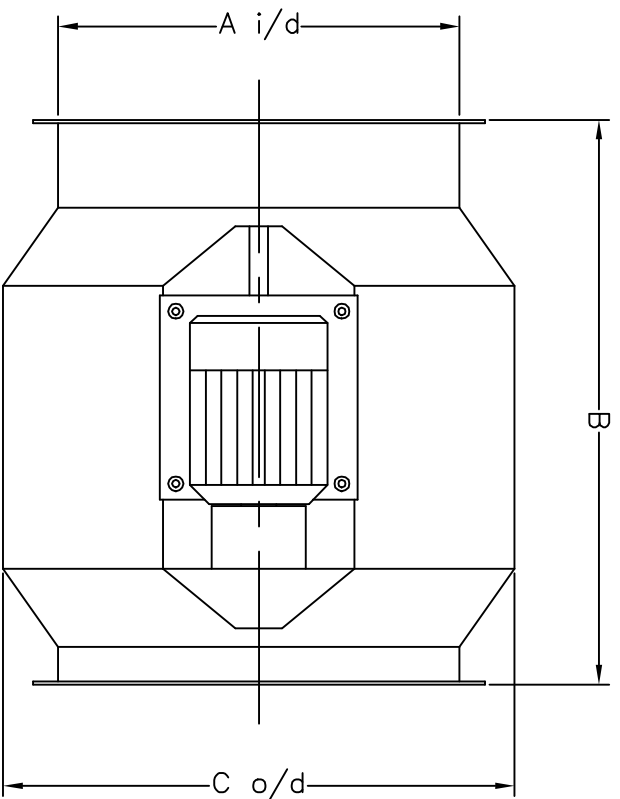
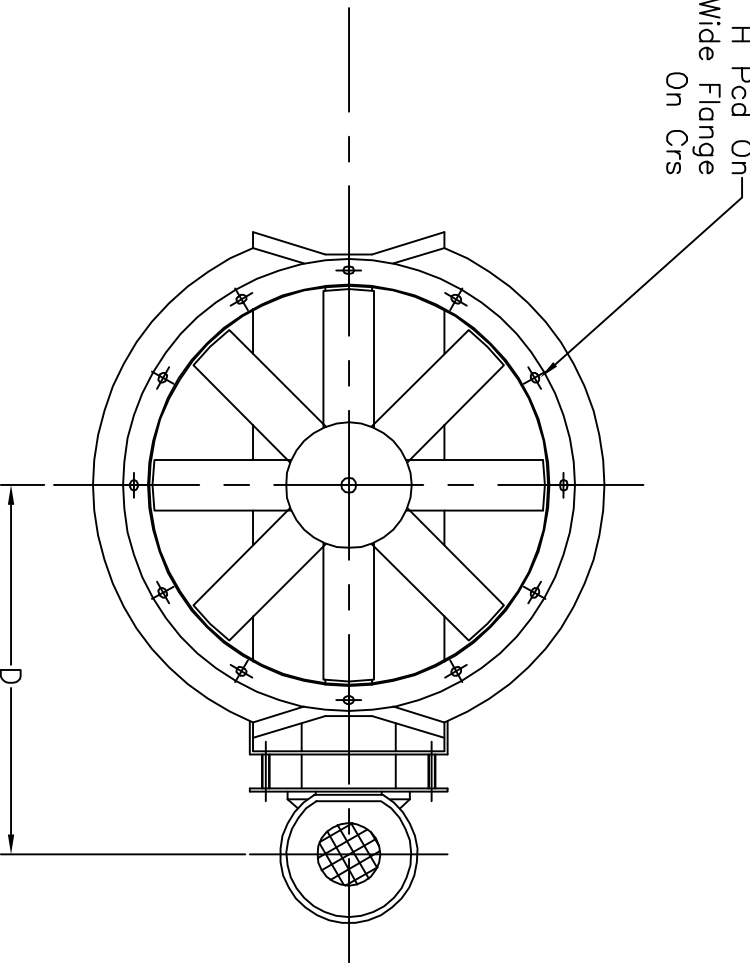


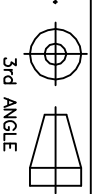
E Slots:- F Wide
 x G Long On
 H Pod On
 J Wide Flange
 On Crs



FAN SIZE	MOTOR				DIMENSIONS									
	FRAME	KW	RPM	A	B	C	D	E	F	G	H	J		
400	D80	0.75	1440	400	685	560	440	8	12	17	445	33		
500	D90L	1.5	1440	506	900	715	553	12	12	17	555	40		
630	D100L	3	1440	636	900	815	603	12	12	17	685	40		
710	D112M	4	1440	716	960	970	685	16	12	18	770	50		
800	D132M	7.5	1440	806	1000	1070	765	16	12	18	860	50		
900	D160M	11	1440	906	1250	1400	991	16	13	18	965	50		



FAN ENGINEERING (midlands) LTD.
 19 Sandy Way, Amington Ind. Estate, Tamworth B77 4EX
 tel: 01827 57000, fax: 01827 64641, e-mail: fanengin@aol.com



TITLE:-
 No.400-900 BELT DRIVEN
 BIF FANS / 2:- MOTORS

QUOTE REF:-
 CHART No:-

DATE:-
 C10183-1A