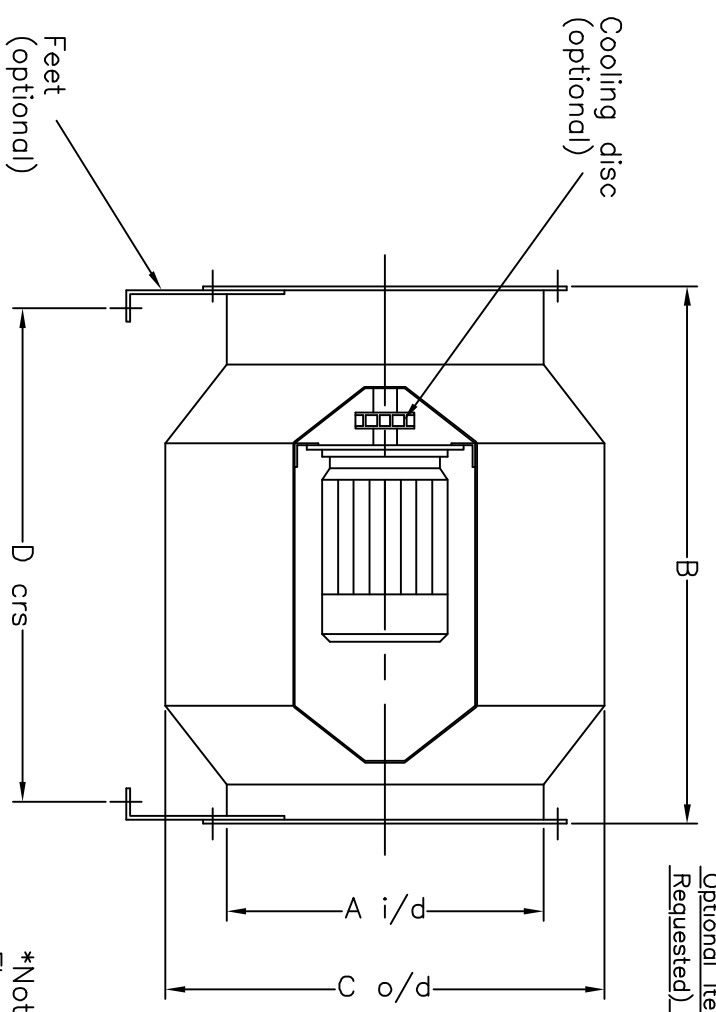
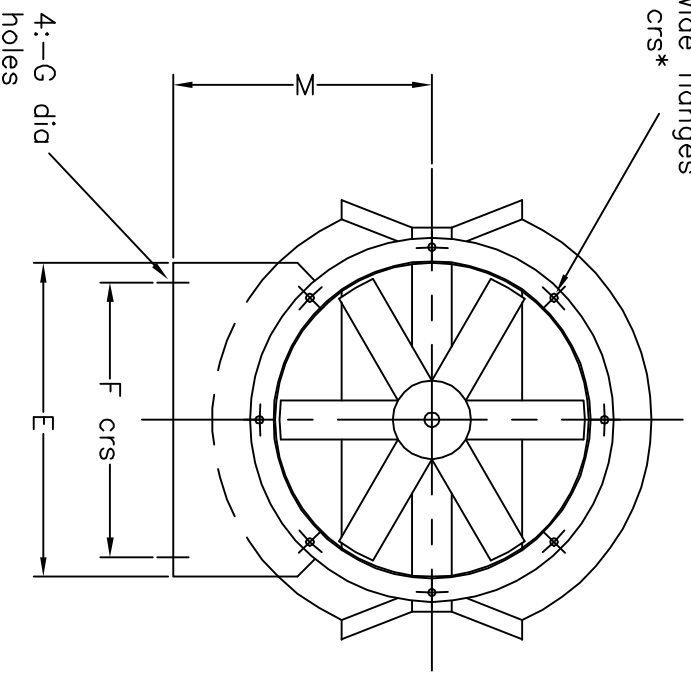


H:—J dia holes  
on K pcd on  
L wide flanges  
on crs\*



Optional Items Are Supplied (If Requested) At An Extra Cost

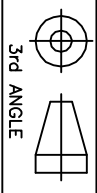
\*Note:—  
Flange holes on fans No.152 & 175 are off crs\*

FAN SIZE	A	B	C	D	E	F	G	H	J	K	L	M	Weight Excluding Motor
152	152	500	275	460	155	105	10	4	8	184	25	185	15 KG
175	175	530	330	490	175	125	10	4	8	210	30	215	16 KG
250	260	600	410	560	250	200	10	8	10	305	30	255	18 KG
315	320	600	460	550	315	265	10	8	10	360	30	280	20 KG
400	400	685	560	635	400	350	12	8	10	440	30	330	22 KG
500	506	900	715	820	500	450	12	12	10	550	40	408	25 KG
630	636	900	815	820	630	580	12	12	10	680	40	483	35 KG
710	716	1060	970	985	710	650	12	16	12	770	50	560	45 KG
800	806	1060	1070	985	800	740	14	16	12	860	50	615	55 KG
900	906	1350	1400	1275	900	840	14	16	12	960	50	775	65 KG

MOTOR DETAILS	
FRAME SIZE	WEIGHT
D63	8 KG
D71	11 KG
D80	17 KG
D90S	22 KG
D90L	25 KG
D100L	34 KG
D112M	45 KG
D132S	67 KG
D132M	77 KG



FAN ENGINEERING (midlands) LTD.  
19 Sandy Way, Arrington Ind. Estate, Tamworth B77 4DS  
Tel: 01827 57000, Fax: 01827 64641, E-Mail: fanengin@aol.com



TITLE:—  
No.152-900  
BIFURCATED FANS

QUOTE REF:—  
CHART No:—  
DATE:—  
C10051